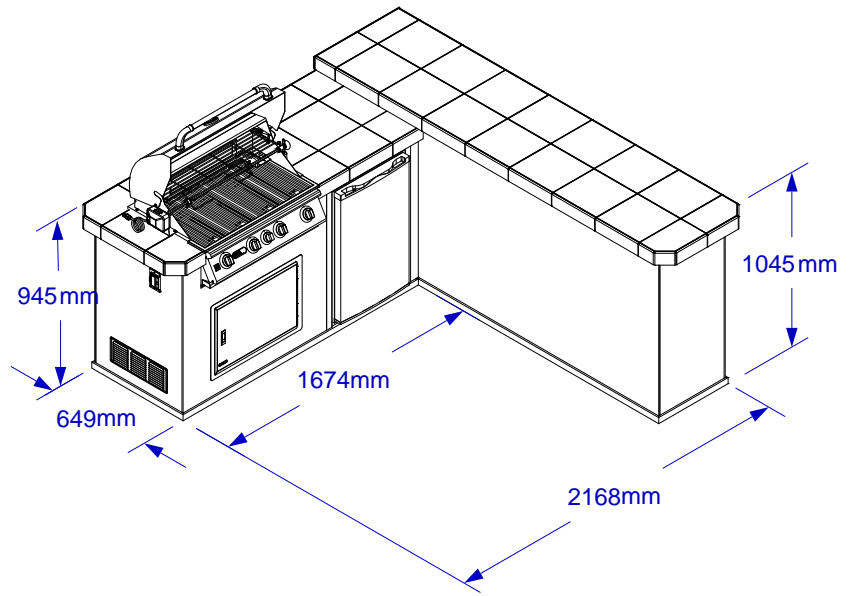


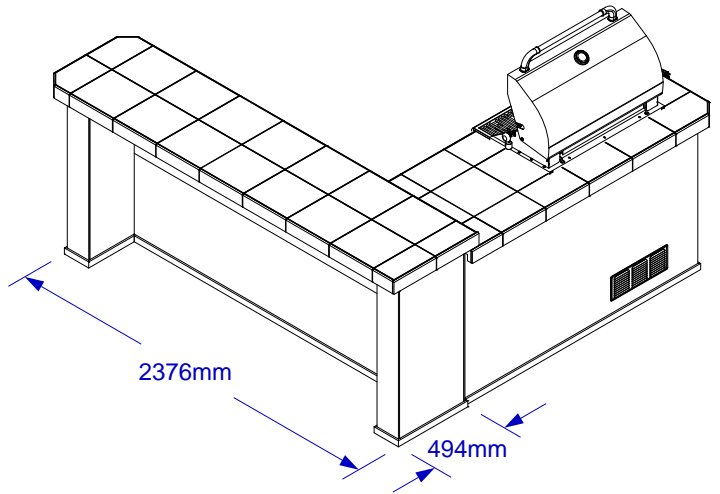


**BULL**  
**EUROPE**

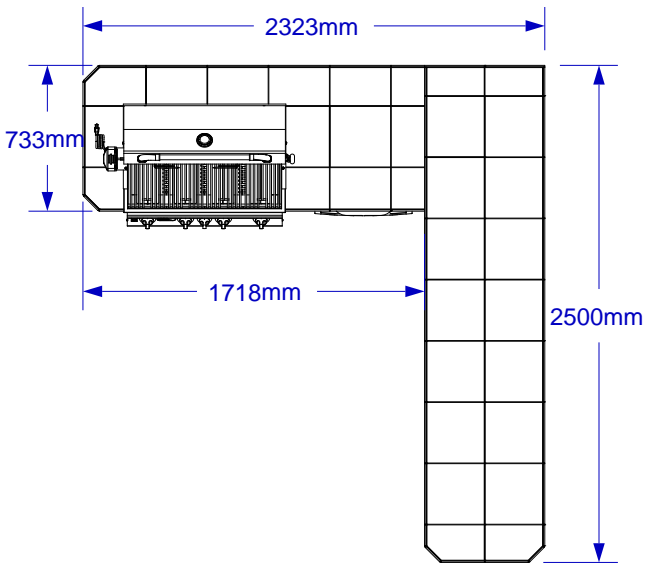


FRONT ISOMETRIC VIEW

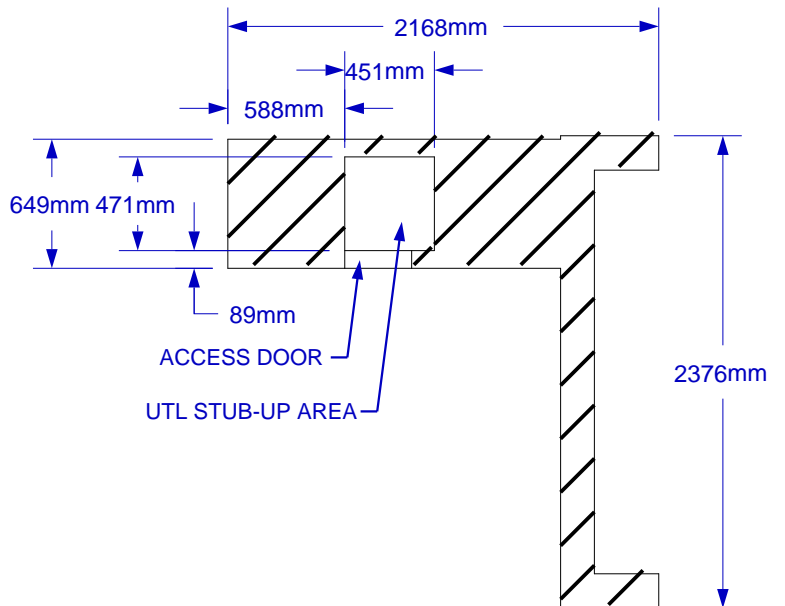
**ITEM: #31043**  
**MESQUITE Q ISLAND**  
**SPEC SHEET**



BACK ISOMETRIC VIEW



TOP VIEW



STUB-UP DIAGRAM  
(SEE NOTE #1)

**NOTES:**

- ITEM: #31043 in Stucco only
- 1. 153mm MAX HEIGHT ON ALL STUB-UPS.
- 2. SHOWN WITH STANDARD 4-BURNER ANGUS GRILL.
- 3. SCALE: 1 : 38 (Printer page scaling none, do not use fit to printable area option)
- 4. REVISION: 10/2011