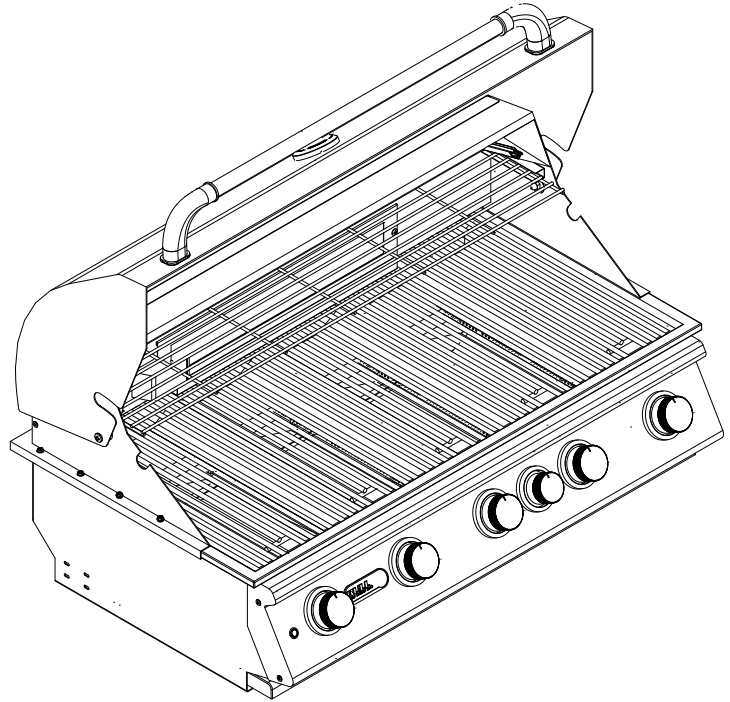




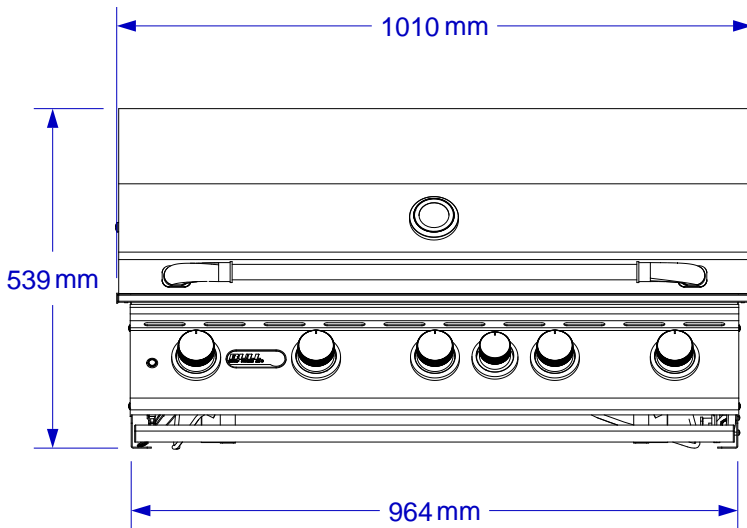
**BULL**  
**EUROPE**

ITEM:  
#57568 LP  
#57569 NG  
BRAHMA GRILL  
SPEC SHEET

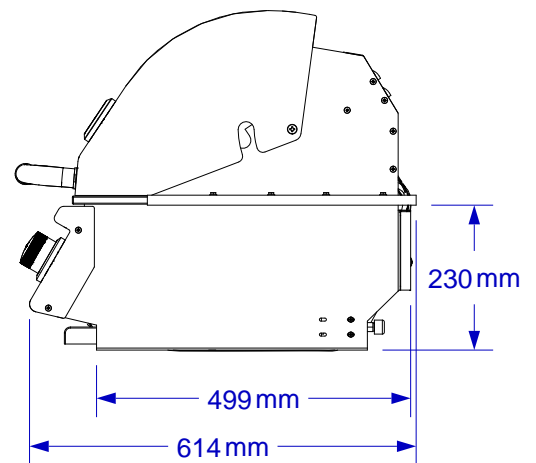


ISOMETRIC VIEW

\*ISLAND MUST BE CONSTRUCTED WITH NON-COMBUSTIBLE MATERIALS;  
REFER TO GRILL OWNERS MANUAL.



FRONT VIEW



RIGHT SIDE VIEW

NOTES:

ITEM: #57569 NG / #57568 LP

1. CUTOUT DIMENSIONS: 979mmW X 534mmD X 242mmH
2. SCALE: 1 : 12 ( Printer page scaling none, do not use fit to printable area option )
3. REVISION: 10/2014