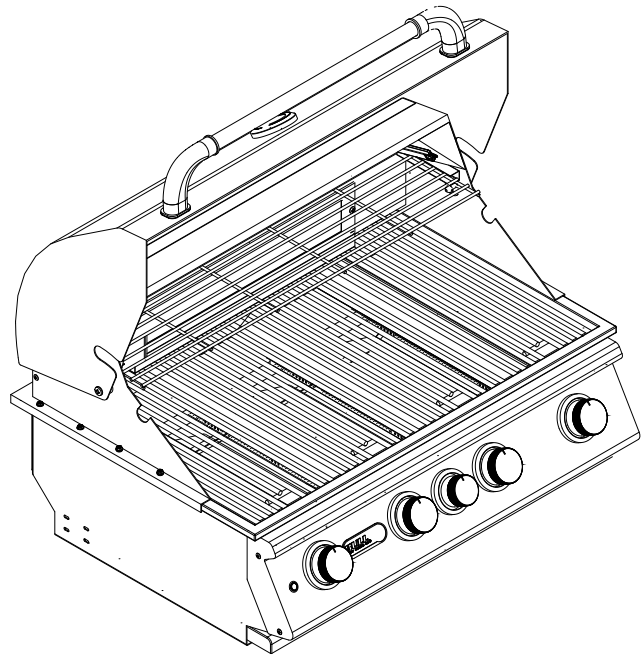


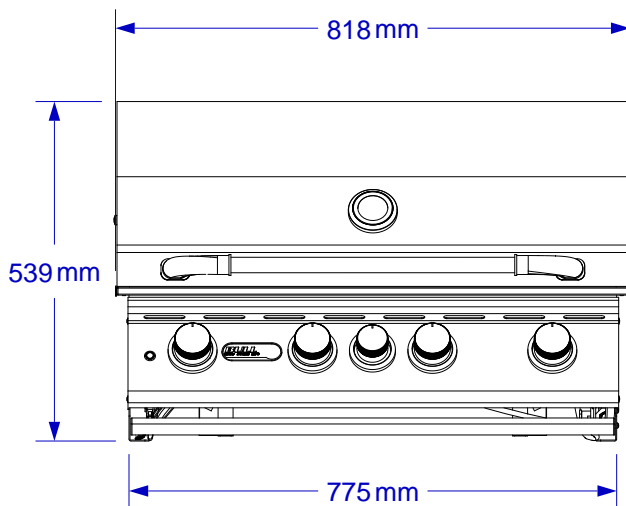


ITEM:
#47628 LP
#47629 NG
ANGUS GRILL
SPEC SHEET

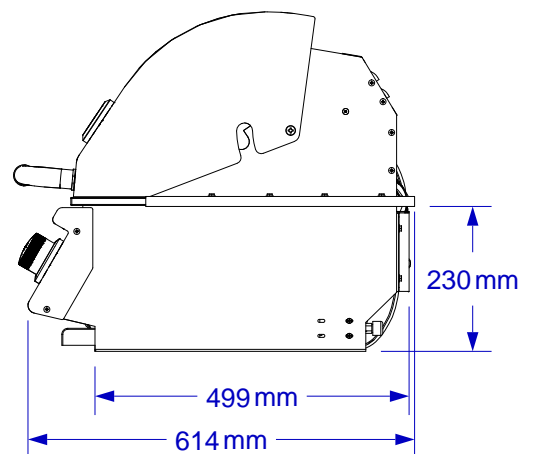


ISOMETRIC VIEW

*ISLAND MUST BE CONSTRUCTED WITH NON-COMBUSTIBLE MATERIALS; REFER TO GRILL OWNERS MANUAL.



FRONT VIEW



RIGHT SIDE VIEW

NOTES:

ITEM: LP # 47628 / NG # 47629

1. CUTOUT DIMENSIONS: 789mmW X 534mmD X 242mmH

2. SCALE: 1 : 12 (Printer page scaling none, do not use fit to printable area option)

3. REVISION: 10/2014