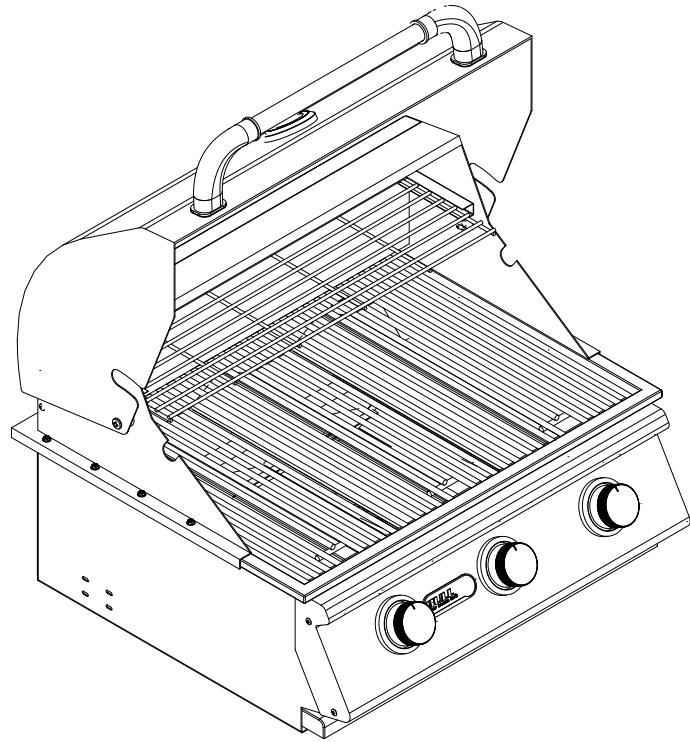




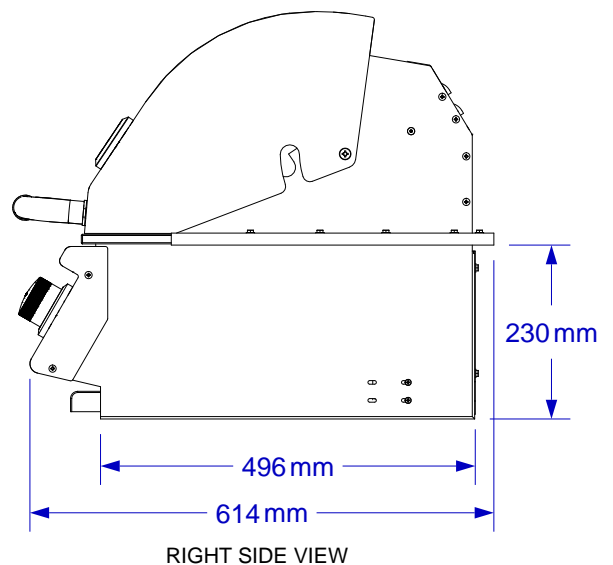
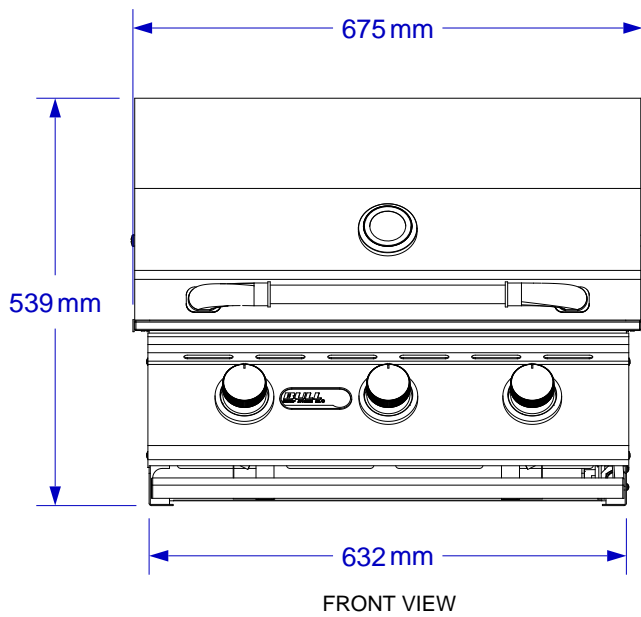
BULL
EUROPE

ITEM:
#69008 LP
#69009 NG
STEER GRILL
SPEC SHEET



ISOMETRIC VIEW
SCALE 1 : 10

*ISLAND MUST BE CONSTRUCTED WITH NON-COMBUSTIBLE MATERIALS; REFER TO GRILL OWNERS MANUAL.



NOTES:

ITEM: #69008 LP #69009 NG

1. CUTOUT DIMENSIONS: 655mmW X 522mmD X 242mmH
2. SCALE: 1 : 10 (Printer page scaling none, do not use fit to printable area option)
3. REVISION: 10/2014